

R320



**rinstrum**  
SMART WEIGHING SOLUTIONS

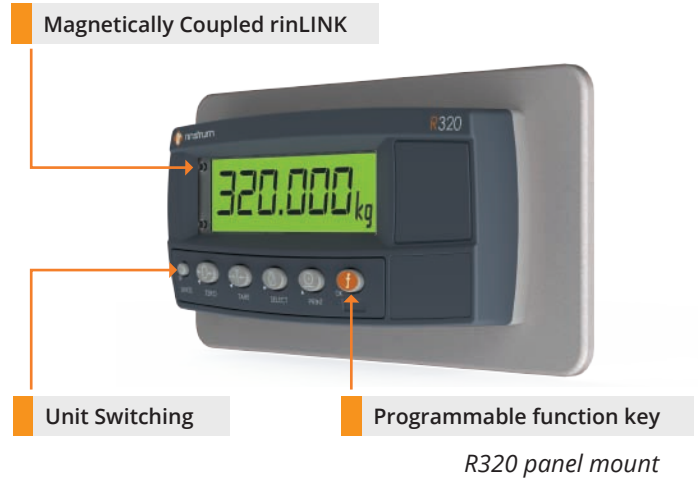


## R320 ABS Panel Mount and Full Housing Indicators

- 20mm (0.8in) LCD display with LED backlight
- Trade Approved Australia/Europe/USA
- rinLINK connector
- Wide DC operation (7-24V)
- Panel mount version combines with a range of accessories to mix and match



R320 with 4AA Battery Boot/Desk Stand



R320 panel mount

### Range of full housing versions

- 4AA battery desk stand and plug pack
- 2 connector version using M12s and waterproof boot
- 4 connector version includes communications and I/O M12 connections
- 2 and 4 connector versions allow for simplified installation, no need to open the unit

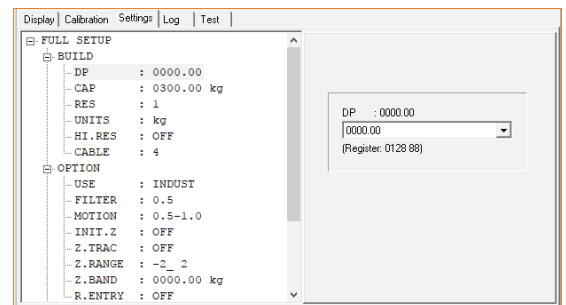
### Drop in replacement for legacy systems

Serial outputs are fully customisable to allow emulation of most common indicator brands. In addition the SIMPLE network protocol emulations allow the indicator to respond to common simple ASCII key press commands enabling the indicator to be used as a drop in replacement in legacy systems.

### View300 for fast simple Indicator setup via a PC

View300 is PC software that displays the complete menu structure of the indicator with convenient drop down menus for setting selection. Use View 300 to:

- Enter custom print strings using the PC
- Setup the indicator and save the configuration and calibration for maintenance purposes or load the RIS file onto multiple indicators.
- Create a real time graph from the log that is ideal for diagnostics



### rinLINK for establishing a temporary connection to a PC

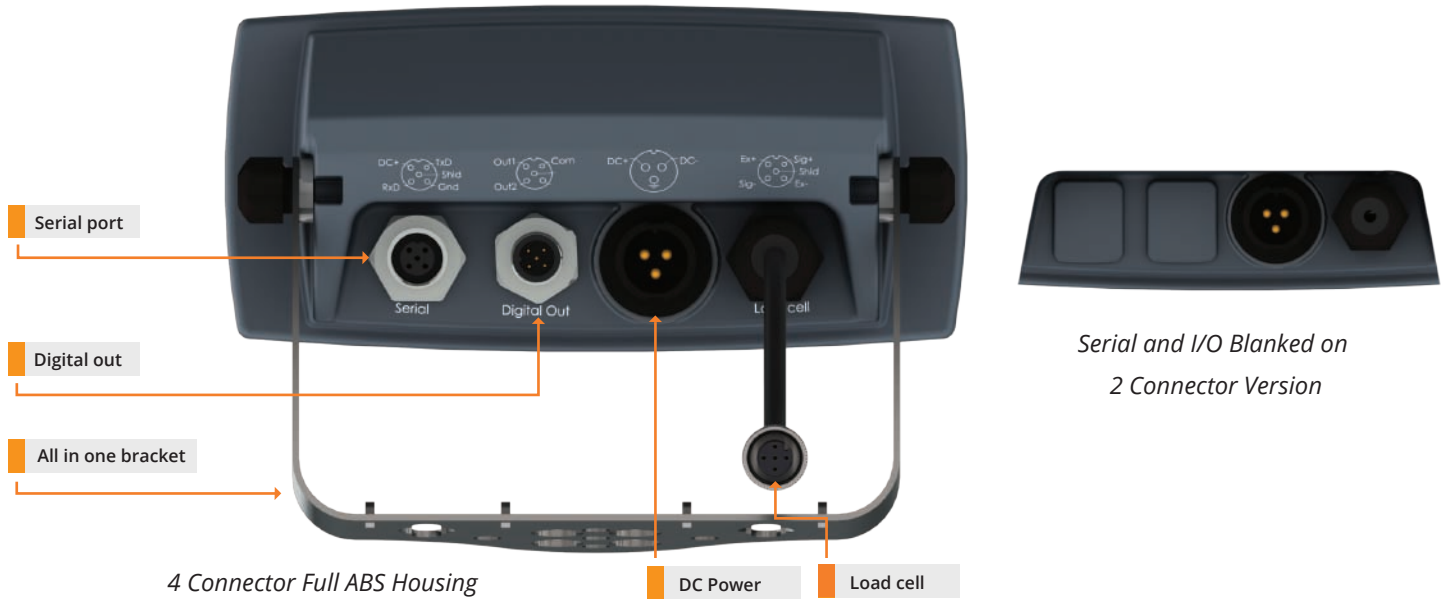
The rinLINK provides an isolated optical serial connection directly on the front of the indicator. It is magnetically coupled for easy access in situ for updates/setup of the indicator, saving the installer time and effort.

The rinLINK can be used to download new firmware or provide the connection to the PC running Viewer for indicator configuration.

Magnetically coupled rinLINK



## R320 Full Housing



## Firmware Features

The R320 supports a range of firmware options from basic weight display through to set points and custom printing. All the firmware is onboard, allowing for even easier upgrade in the field.

K342	K344	K346	K354	K356
<ul style="list-style-type: none"> <li>Manual hold</li> </ul>	<ul style="list-style-type: none"> <li>Simple printing</li> <li>RS232 automatic transmit, network or printer outputs</li> <li>Manual hold</li> <li>1 input</li> </ul>	<ul style="list-style-type: none"> <li>Simple printing</li> <li>RS232 automatic transmit, network or printer outputs</li> <li>Manual hold</li> <li>1 input and 2 outputs</li> <li>2 basic set points</li> </ul>	<ul style="list-style-type: none"> <li>Custom Printing</li> <li>RS232 automatic transmit, network or printer outputs</li> <li>Unit switching, counting, manual hold, peak hold, totalizing, high resolution, auto tare, display test functions</li> <li>One assignable function key</li> <li>1 input and 2 outputs</li> <li>2 basic set points</li> </ul>	<ul style="list-style-type: none"> <li>Custom Printing</li> <li>RS232 automatic transmit, network or printer outputs</li> <li>Unit switching, counting, manual hold, peak hold, totalizing, high resolution, auto tare, display test functions</li> <li>One assignable function key</li> <li>1 input and 2 outputs</li> <li>2 advanced set points</li> </ul>

## Fully Featured Custom Printing in K354/K356

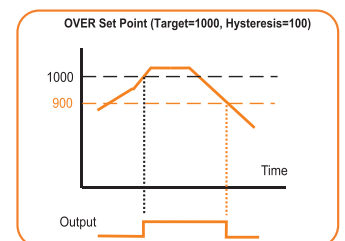
The K354/K356 firmware offers a clock calendar, RS232 and fully featured custom printing.

- The built in RS232 communications port is 15kV static protected.
- Configurable printing combined with the clock calendar allow for traceable dockets to be printed.

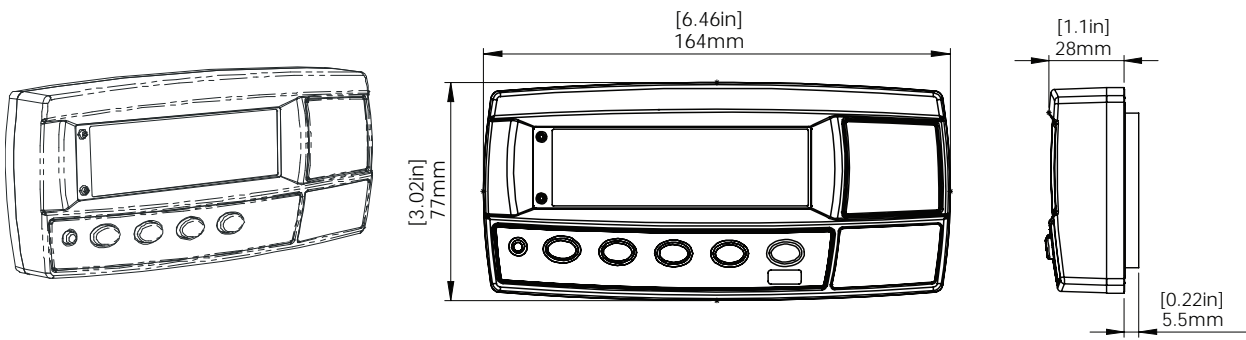
## Advanced Set Points in K356

The instrument is capable of working with two advanced internal set points; the status of which is displayed on the LCD. Each can be associated with a physical output driver or simply used as an indicator.

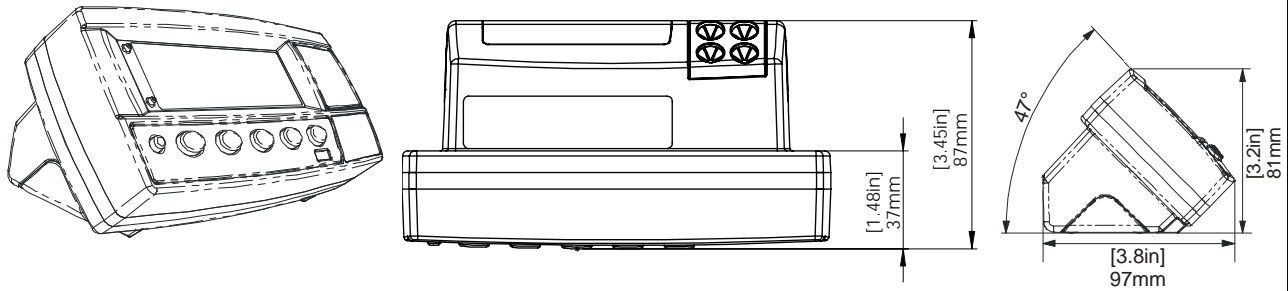
- OVER/UNDER: The output is turned on when the source weight is over/under the target value and turned off otherwise.
- Output to follow status (ON/MOTION/ZERO/NET/ERROR)



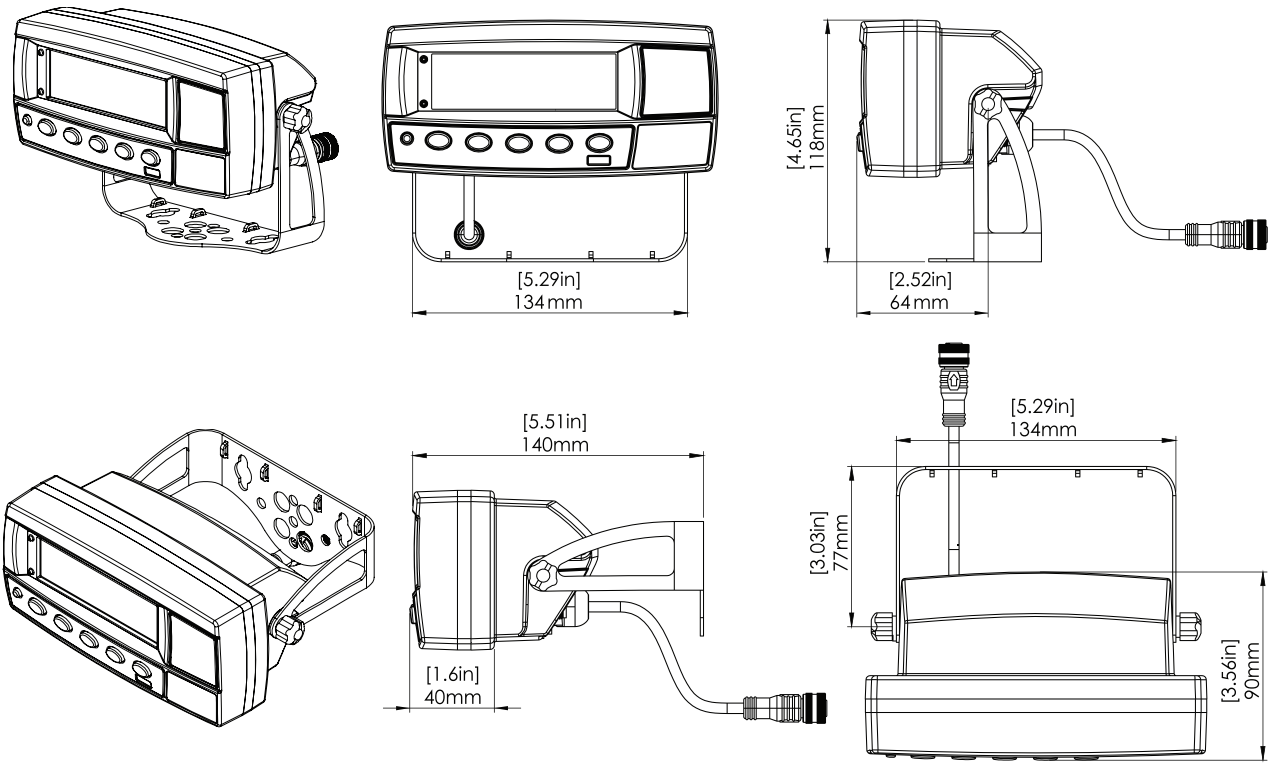
### R320 Panel Mount



### R320 with 4AA Battery Boot/Desk Stand



### R320 Full ABS Housing and Bracket



#### AUSTRALIA

Rinstrum Pty Ltd  
41 Success Street  
Acacia Ridge 4110  
Australia

Ph: +61 7 3216 7166  
Fax: +61 7 3216 6211  
Email: sales@rinstrum.com

#### USA

Rinstrum Inc  
1349 Piedmont Drive  
Troy, Michigan 48083  
United States

Toll Free 1 877 829 9152  
Ph: +1 248 680 0320  
Fax: +1 248 499 1331  
Email: sales.usa@rinstrum.com

#### EUROPE

Rinstrum Europe GmbH  
Hans-Böckler-Straße 42  
D-40764 Langenfeld  
Germany

Ph: +49 (0)2173 165162-10  
Fax: +49 (0)2173 165162-29  
Email: sales.eu@rinstrum.com